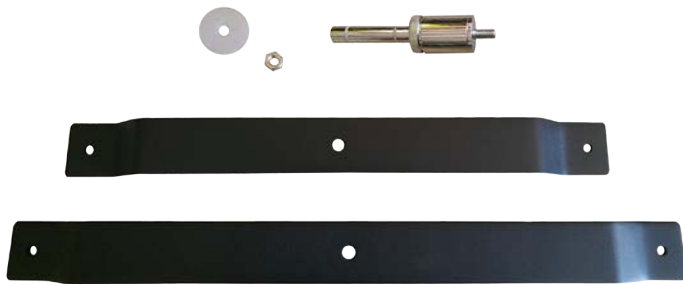
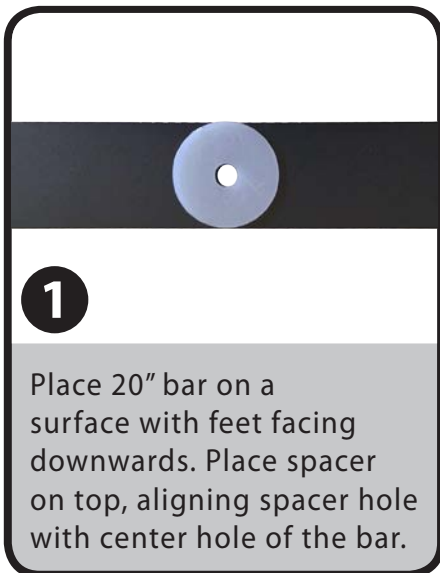


INSTRUCTIONS

Standard Cross Base

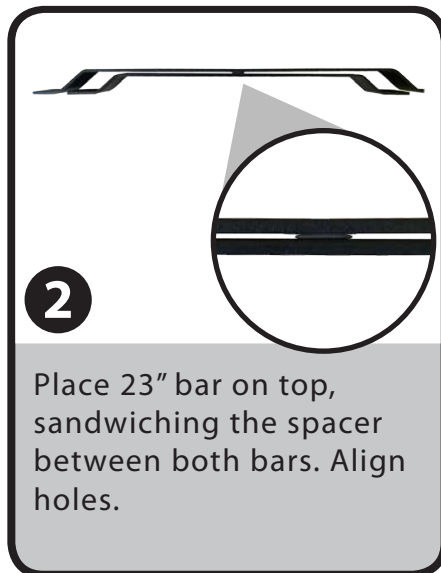


Includes:
20" Bar
23" Bar
Post
Nut
Spacer*



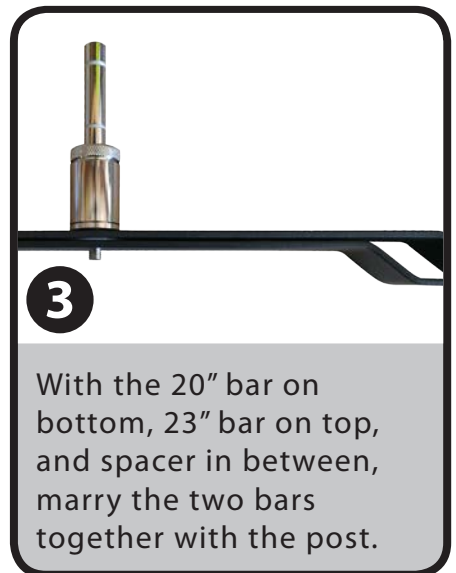
1

Place 20" bar on a surface with feet facing downwards. Place spacer on top, aligning spacer hole with center hole of the bar.



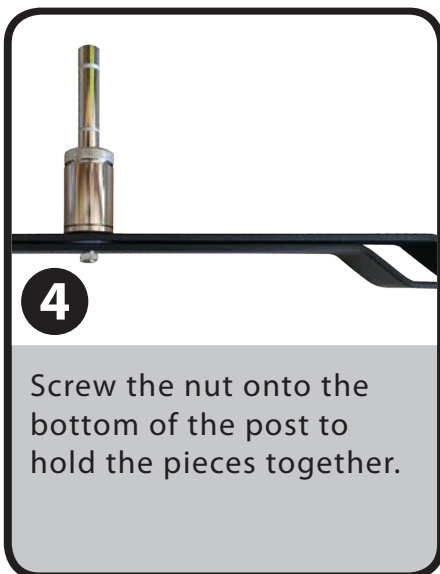
2

Place 23" bar on top, sandwiching the spacer between both bars. Align holes.



3

With the 20" bar on bottom, 23" bar on top, and spacer in between, marry the two bars together with the post.



4

Screw the nut onto the bottom of the post to hold the pieces together.



5

To use, separate both legs until perpendicular.

* Spacer may not be included with cross base. It is an optional piece and not required for use.